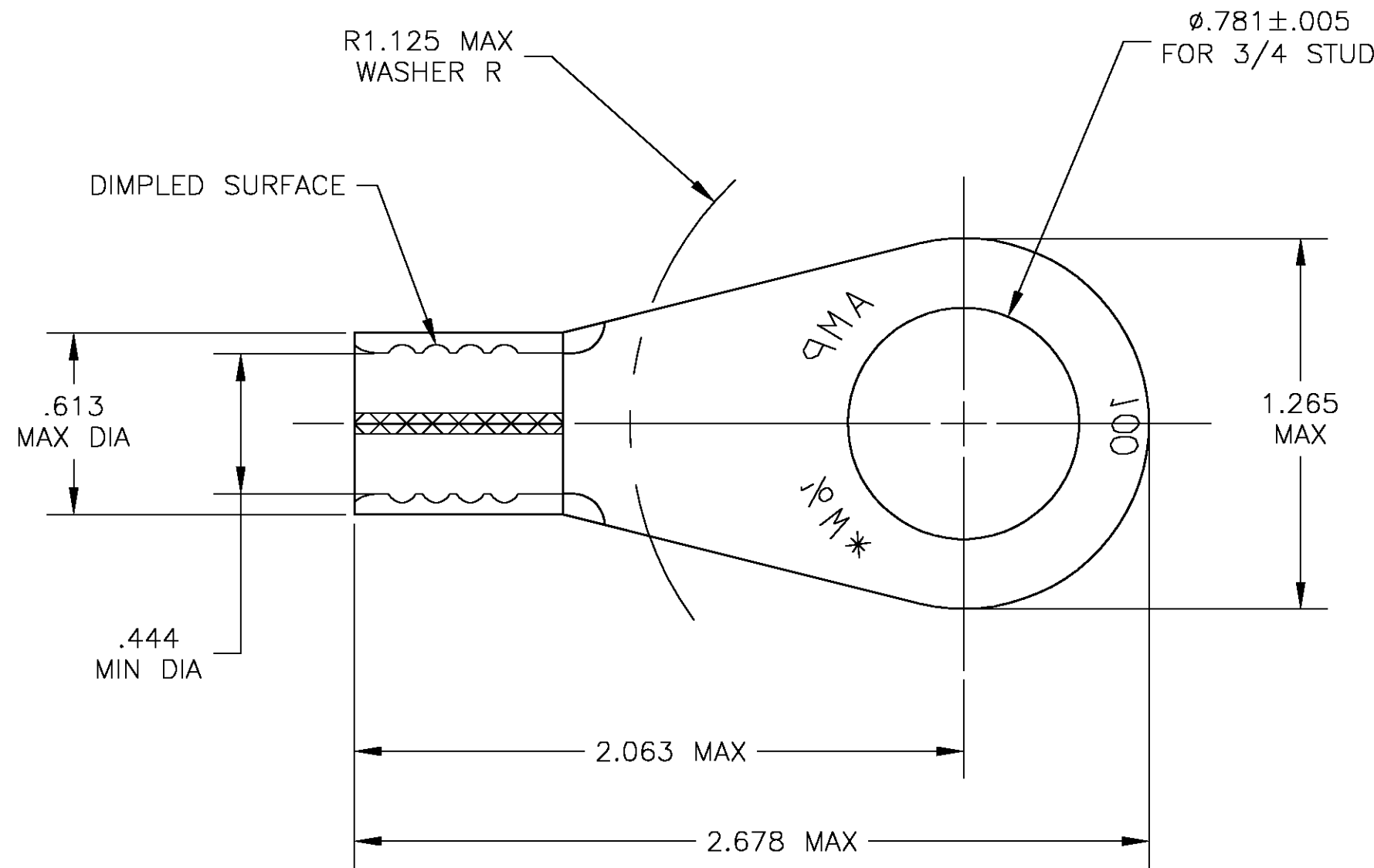


THIS DRAWING IS UNPUBLISHED. RELEASED FOR PUBLICATION
 © COPYRIGHT - BY TYCO ELECTRONICS CORPORATION. ALL RIGHTS RESERVED.

LOC	DIST	REVISIONS			
P	LTR	DESCRIPTION	DATE	DWN	APVD
G	14	E	REDRAWN PER 0G3A-0603-03	03OCT03	JR MS



- 1 TONGUE THK IS .070±.003
- △ 2 TIN PLATE PER ASTM B 545 ANNEALED

320748-0
 PART NO

THIS DRAWING IS A CONTROLLED DOCUMENT.		DWN jr_ruth	03OCT03	Tyco Electronics Corporation Harrisburg, PA 17105	
DIMENSIONS: INCHES		CHK MJ SPICER	03OCT03		
		APVD MJ SPICER	03OCT03	NAME TERMINAL, SOLISTRAND, RING TONGUE, WIRE SIZE : 1/0	
TOLERANCES UNLESS OTHERWISE SPECIFIED:		PRODUCT SPEC		SIZE A3	
0 PLC ± -		APPLICATION SPEC		CAGE CODE 00779	DRAWING NO C-320748
1 PLC ± -				RESTRICTED TO	
2 PLC ± -				-	
3 PLC ± .008				SCALE 2:1	
4 PLC ± -				SHEET 1 OF 1	
ANGLES ± 5'				REV E	
FINISH		WEIGHT	-	CUSTOMER DRAWING	
COPPER ASTM B152					